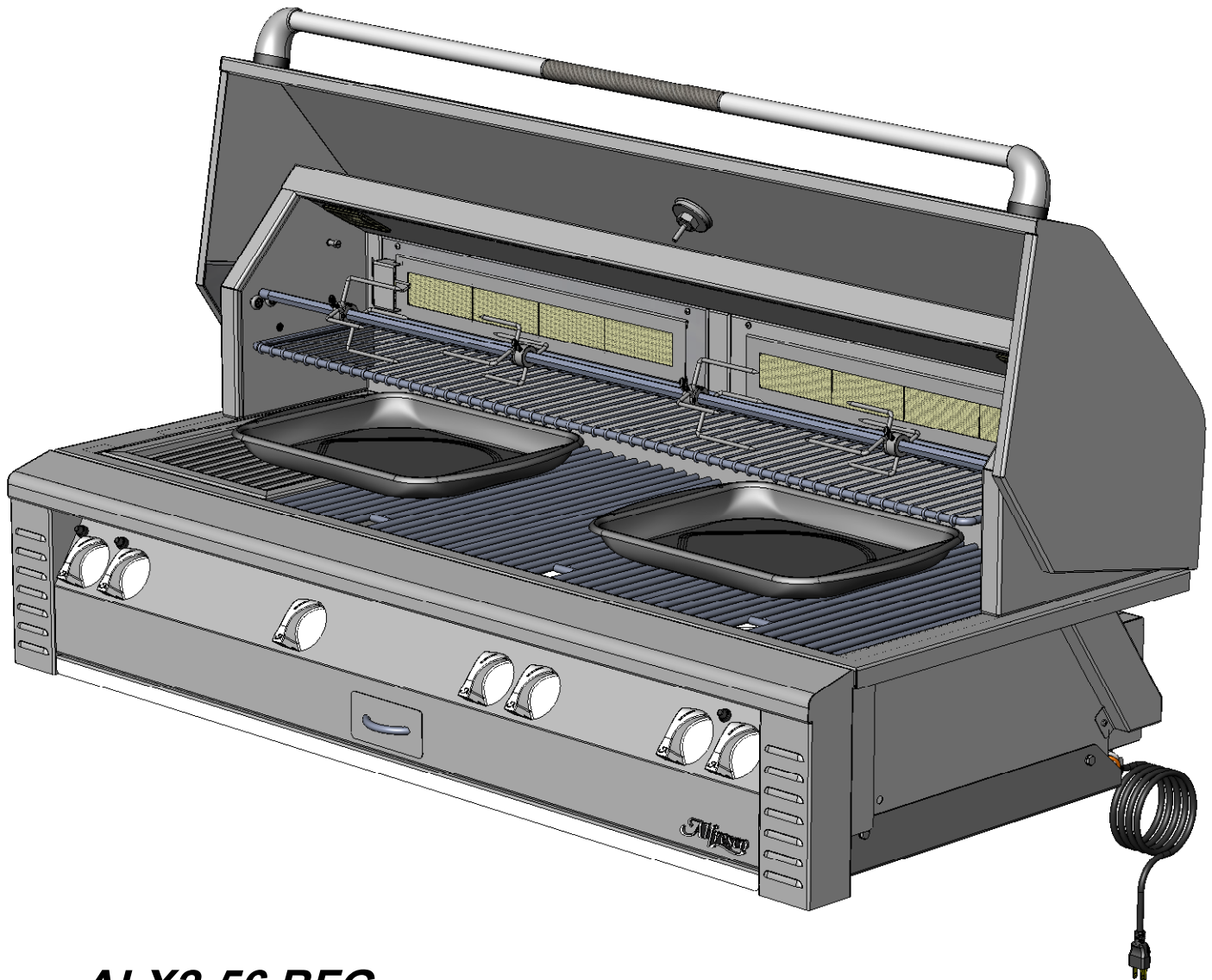


Alfresco™

Open Air Culinary Systems

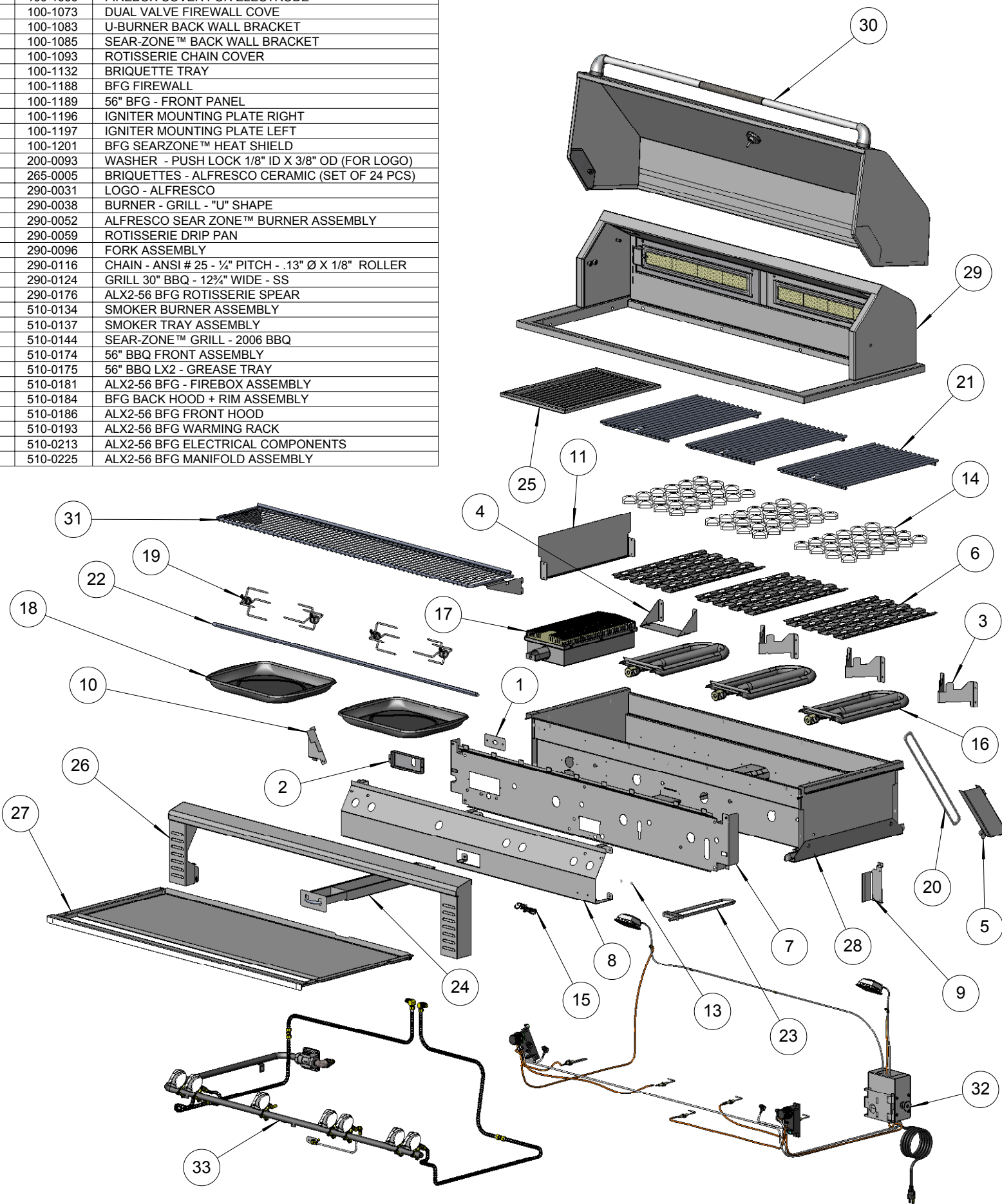


ALX2-56 BFG

**BUILT-IN 56" BBQ WITH TRIPLE GRILL BURNERS,
SEAR-ZONE™, DUAL ROTISSERIE BURNERS,
INTEGRATED ROTISSERIE MOTOR AND LIGHTS.**

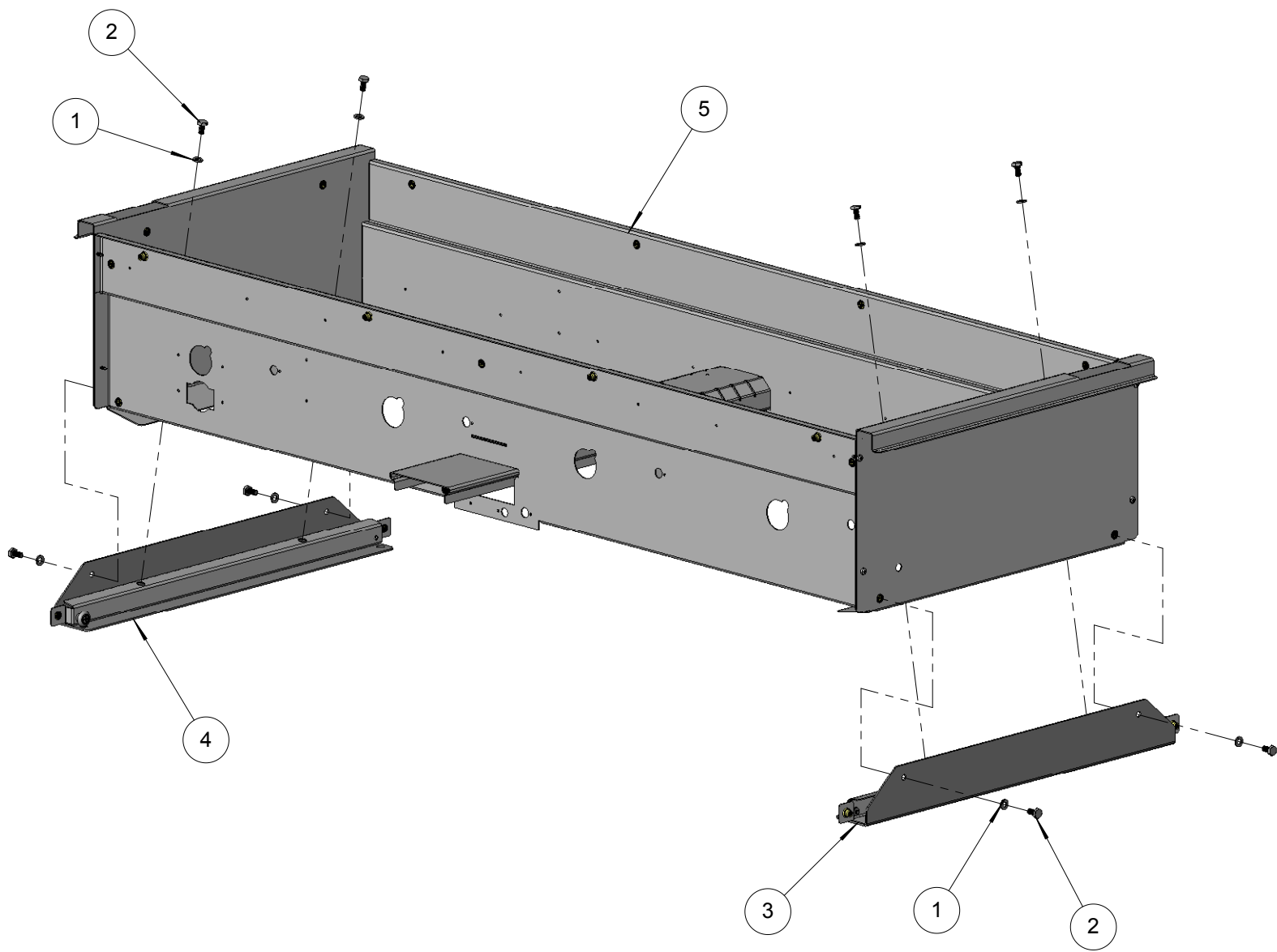
BILL OF MATERIAL

NO.	PART NUMBER	DESCRIPTION
1	100-1066	FIREBOX COVER FOR ELECTRODE
2	100-1073	DUAL VALVE FIREWALL COVE
3	100-1083	U-BURNER BACK WALL BRACKET
4	100-1085	SEAR-ZONE™ BACK WALL BRACKET
5	100-1093	ROTISSERIE CHAIN COVER
6	100-1132	BRIQUETTE TRAY
7	100-1188	BFG FIREWALL
8	100-1189	56" BFG - FRONT PANEL
9	100-1196	IGNITER MOUNTING PLATE RIGHT
10	100-1197	IGNITER MOUNTING PLATE LEFT
11	100-1201	BFG SEARZONE™ HEAT SHIELD
13	200-0093	WASHER - PUSH LOCK 1/8" ID X 3/8" OD (FOR LOGO)
14	265-0005	BRIQUETTES - ALFRESCO CERAMIC (SET OF 24 PCS)
15	290-0031	LOGO - ALFRESCO
16	290-0038	BURNER - GRILL - "U" SHAPE
17	290-0052	ALFRESCO SEAR_ZONE™ BURNER ASSEMBLY
18	290-0059	ROTISSERIE DRIP PAN
19	290-0096	FORK ASSEMBLY
20	290-0116	CHAIN - ANSI # 25 - 1/4" PITCH - .13" Ø X 1/8" ROLLER
21	290-0124	GRILL 30" BBQ - 12 3/4" WIDE - SS
22	290-0176	ALX2-56 BFG ROTISSERIE SPEAR
23	510-0134	SMOKER BURNER ASSEMBLY
24	510-0137	SMOKER TRAY ASSEMBLY
25	510-0144	SEAR-ZONE™ GRILL - 2006 BBQ
26	510-0174	56" BBQ FRONT ASSEMBLY
27	510-0175	56" BBQ LX2 - GREASE TRAY
28	510-0181	ALX2-56 BFG - FIREBOX ASSEMBLY
29	510-0184	BFG BACK HOOD + RIM ASSEMBLY
30	510-0186	ALX2-56 BFG FRONT HOOD
31	510-0193	ALX2-56 BFG WARMING RACK
32	510-0213	ALX2-56 BFG ELECTRICAL COMPONENTS
33	510-0225	ALX2-56 BFG MANIFOLD ASSEMBLY



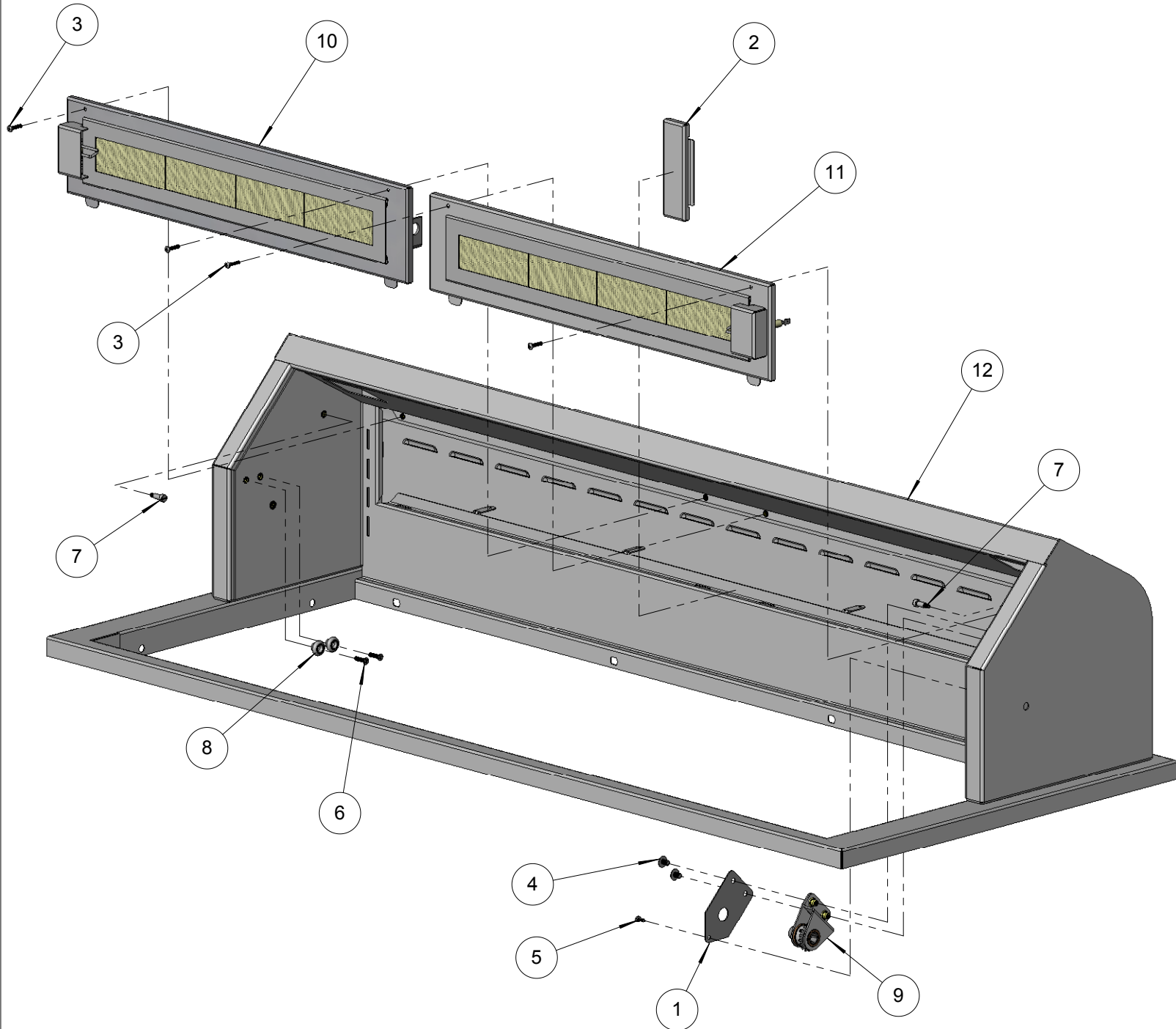
BILL OF MATERIAL

NO.	PART NUMBER	DESCRIPTION	QTY.
1	200-0087	1/4" LOCK WASHER	8
2	200-0089	1/4-20 X 1/2 - HEX HEAD BOLT	8
3	510-0128	BBQ TRAY SUPPORT ASSY - RIGHT SIDE	1
4	510-0129	BBQ TRAY SUPPORT ASSY - LEFT SIDE	1
5	510-0247	ALX2-56 BFG FIREBOX - WELDED PARTS	1



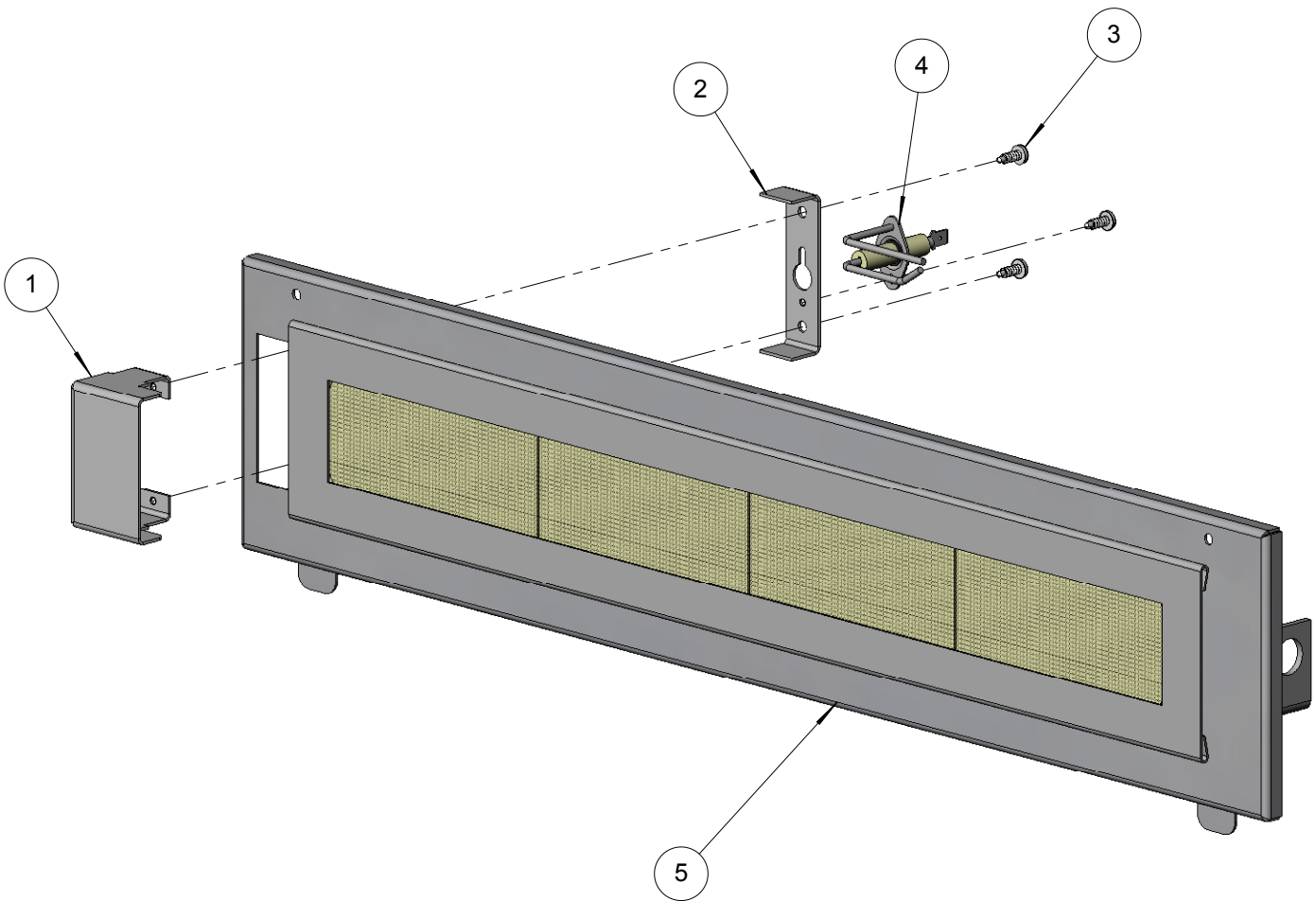
BILL OF MATERIAL

NO.	PART NUMBER	DESCRIPTION	QTY.
1	100-1092	ROTISSERIE GEAR COVER	1
2	100-1187	ROTISSERIE PANEL - CENTER MULLION	1
3	200-0079	8-32 X 3/4 - PAN HEAD - PHILIPS SCREW	4
4	200-0086	1/4-20 X 3/8 - TRUSS HEAD - PHILIPS SCREW	2
5	200-0111	SCREW 8-18 X 1/2 - SS - MMC# 92364A194	1
6	200-0148	SCREW 10-32 X 3/4" - FLAT HEAD - PHILIPS - 82° - SS	2
7	200-0166	SCREW 10-32 X 1/4 Ø X 1/2 SHOULDER - SS	2
8	290-0119	ROLLER WHEEL - STAINLESS STL - 3/4" Ø -	2
9	510-0139	ROTISSERIE GEAR ASSEMBLY	1
10	510-0185	30"- ROTISSERIE PANEL (LEFT SIDE ONLY)	1
11	510-0217	30"- ROTISSERIE PANEL ASSEMBLY	1
12	510-0248	ALX2-56 BFG BACK HOOD AND RIM - WELDED PARTS	1



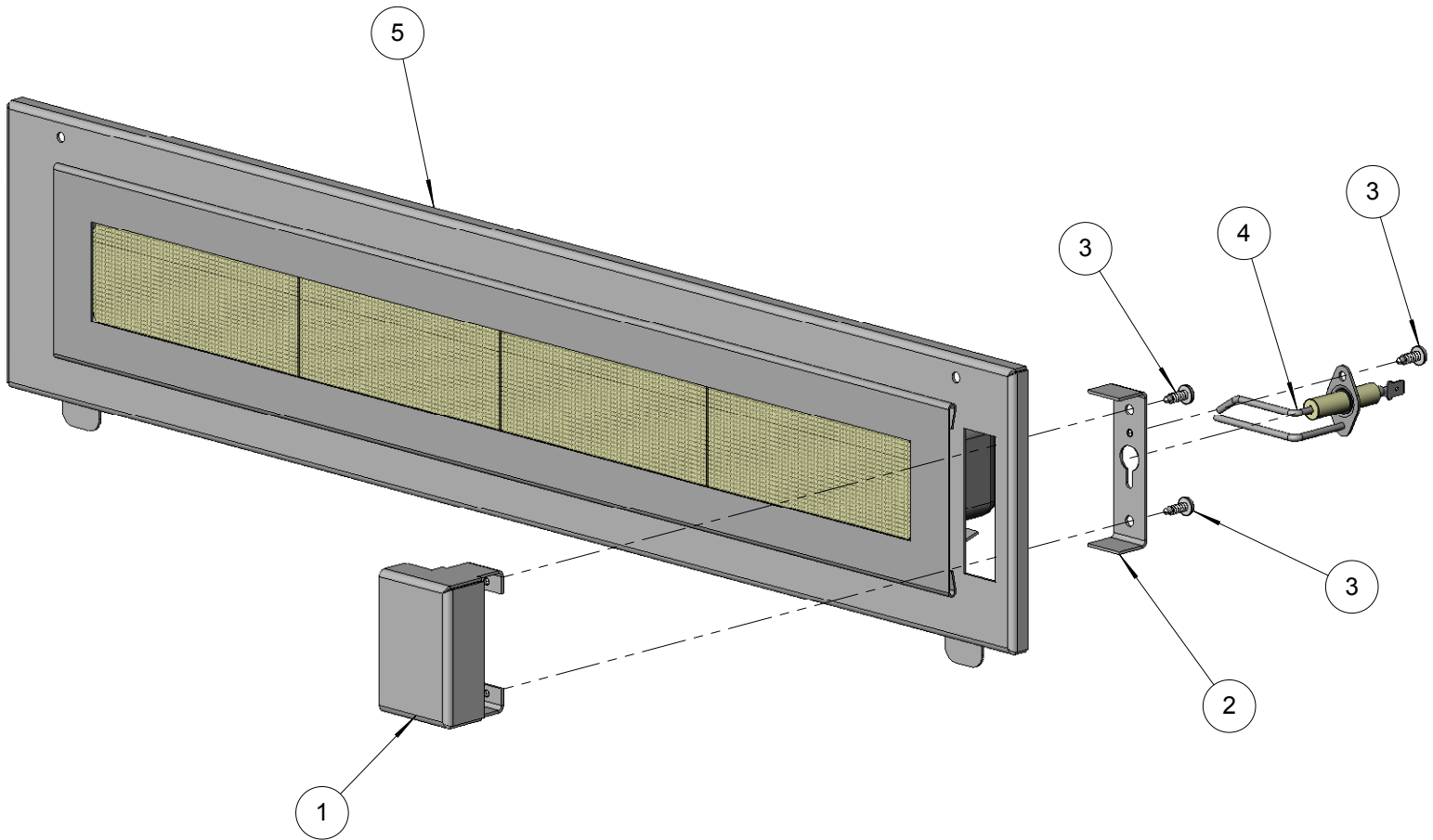
BILL OF MATERIAL

NO.	PART NUMBER	DESCRIPTION	QTY.
1	100-1225	ROTISSERIE ELECTRODE COVER	1
2	100-1226	ROTISSERIE ELECTRODE BRACKET	1
3	200-0111	SCREW 8-18 X 1/2 - SS - MMC# 92364A194	3
4	210-0240	ELECTRODE - DUAL TIP - IR BURNERS	1
5	510-0249	30" ROTISSERIE PANEL LEFT SIDE - WELDED PARTS	1



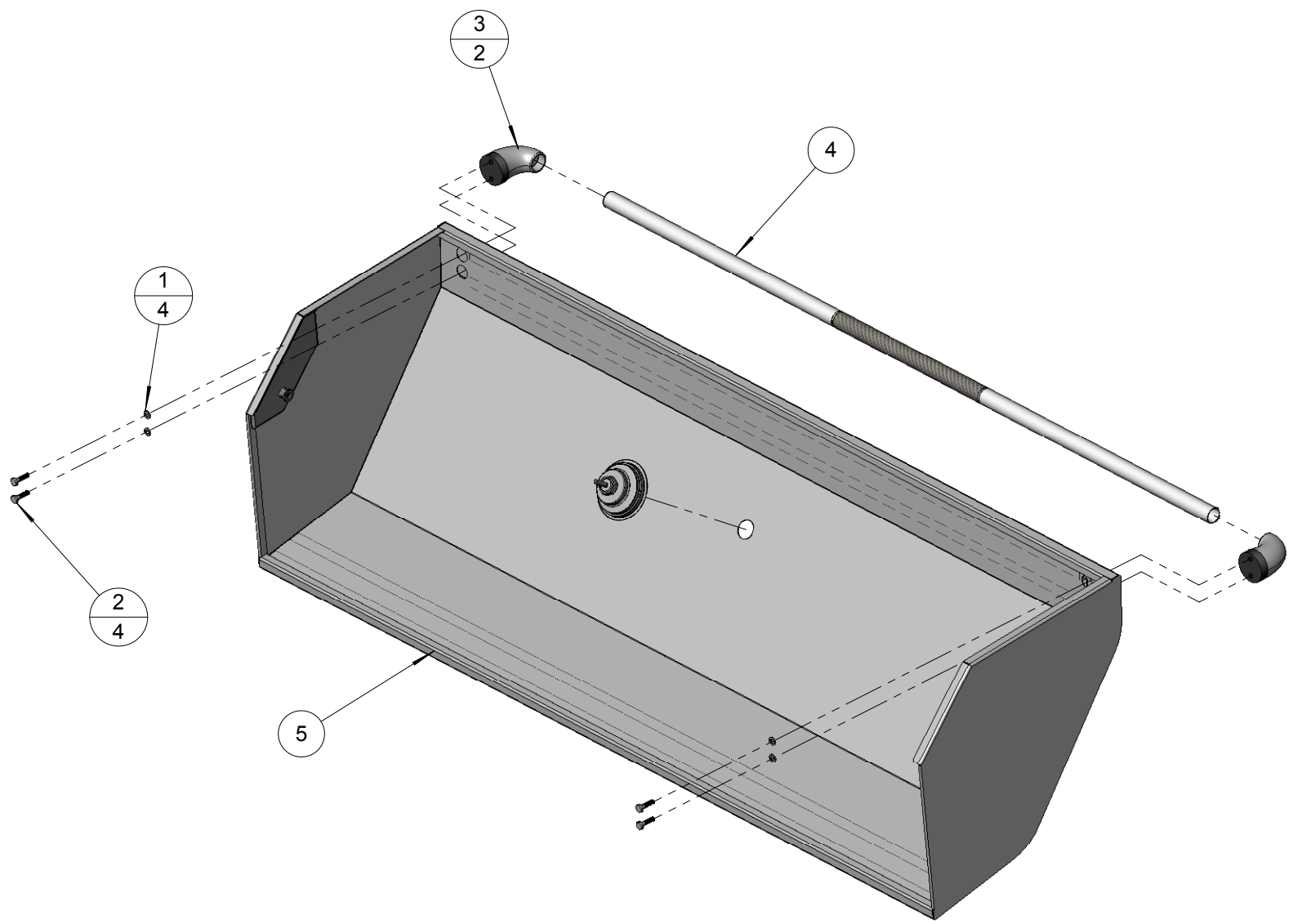
BILL OF MATERIAL

NO.	PART NUMBER	DESCRIPTION	QTY.
1	100-1225	ROTISSERIE ELECTRODE COVER	1
2	100-1226	ROTISSERIE ELECTRODE BRACKET	1
3	200-0111	SCREW 8-18 X 1/2 - SS - MMC# 92364A194	3
4	210-0240	ELECTRODE - DUAL TIP - IR BURNERS	1
5	510-0250	ALX2-30 ROTISSERY PANEL - WELDED PARTS	1



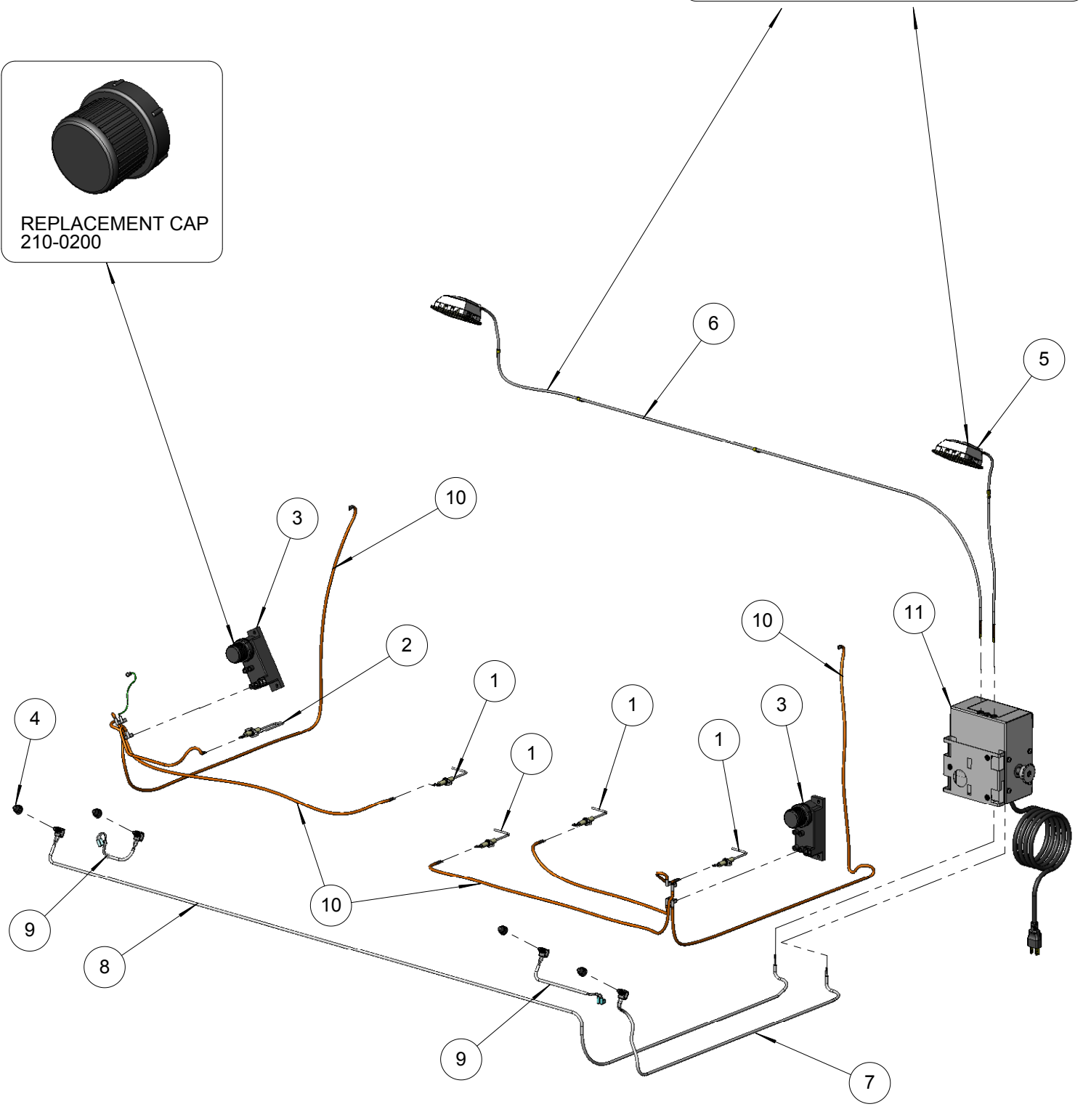
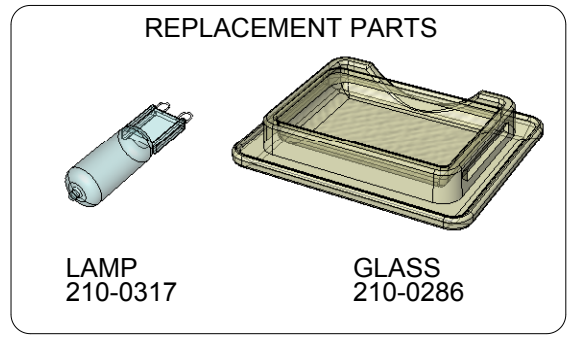
BILL OF MATERIAL

NO.	PART NUMBER	DESCRIPTION	QTY.
1	200-0087	1/4" LOCK WASHER	4
2	200-0091	HH- HD - 1/4-20 x 1 x .75 THREAD	4
3	290-0063	HANDLE - END CAP ASSEMBLY	2
4	290-0089	HANDLE BAR - 50" SMOOTH	1
5	510-0187	ALX2-56 BFG OUSIDE SKIN	1
6	210-0418	ALFRESCO - 3-1/8"Ø - ALX2 THERMOMETER	1



BILL OF MATERIAL

NO.	PART NUMBER	DESCRIPTION	QTY.
1	210-0189	ELECTRODE - "L" SHAPED - MAIN BURNER	4
2	210-0192	ELECTRODE - DUAL TIP - IR BURNERS	1
3	210-0194	IGNITER MODULE - 4 POINTS (WITH CAP)	2
4	210-0198	SWITCH - WEATHER BOOT & CAP	4
5	210-0331	ALX2-BBQs RIGHT LAMP ASSEMBLY WITH HARNESS	1
6	210-0334	ALX2-56 BFG LEFT LAMP ASSEMBLY WITH HARNESS	1
7	210-0335	ALX2-BBQs LIGHT SWITCH WITH HARNESS	1
8	210-0339	ALX2-56 BFG ROTISSERIE SWITCH WITH HARNESS	1
9	210-0340	SWITCH BBQ - IGNITER ONLY - OFF [ON] MOMENTARY	2
10	210-0347	ALX2-56 BFG IGNITER WIRE KIT	1
11	510-0200	ALX2 ROTISSERIE MOTOR ASSEMBLY & J-BOX	1

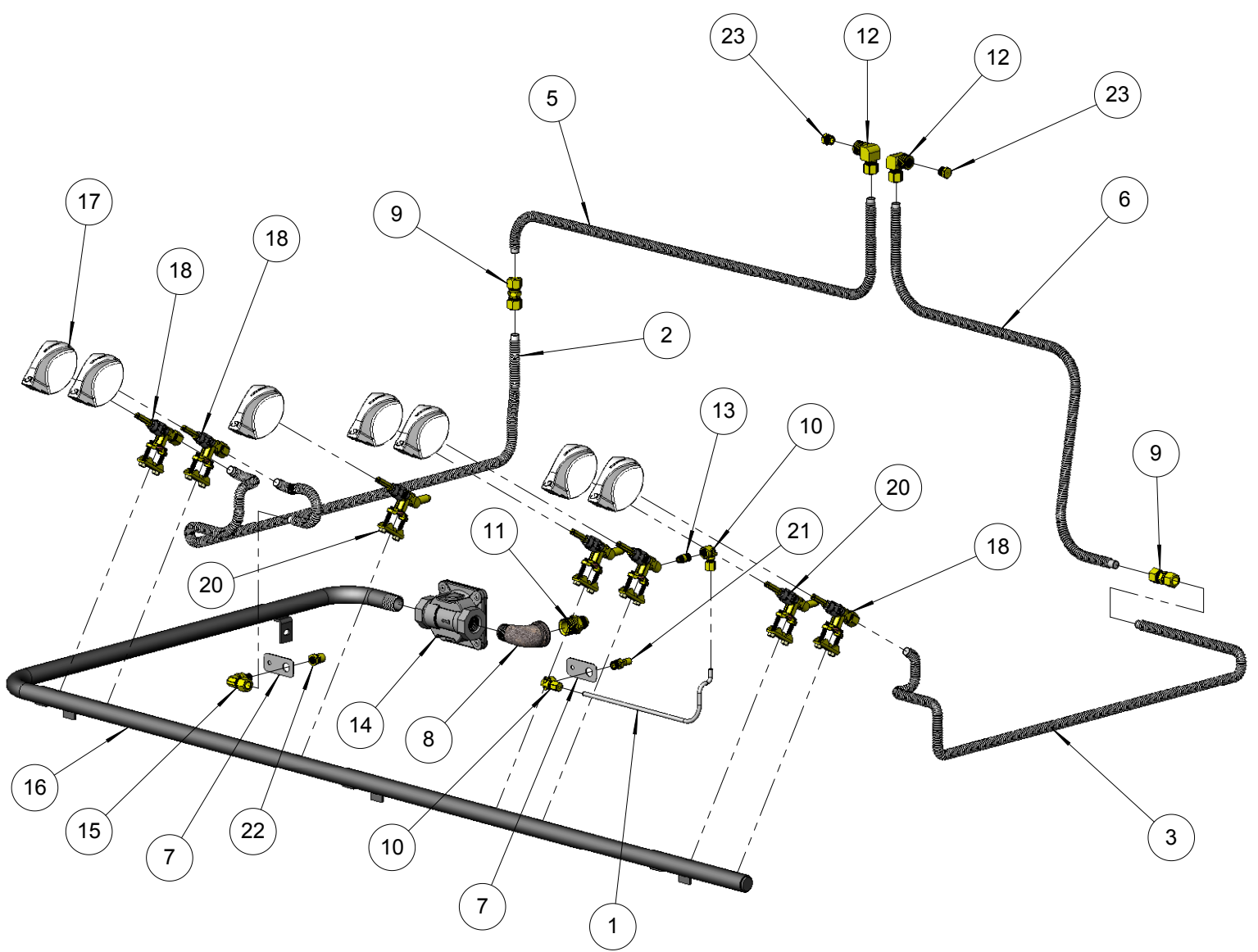


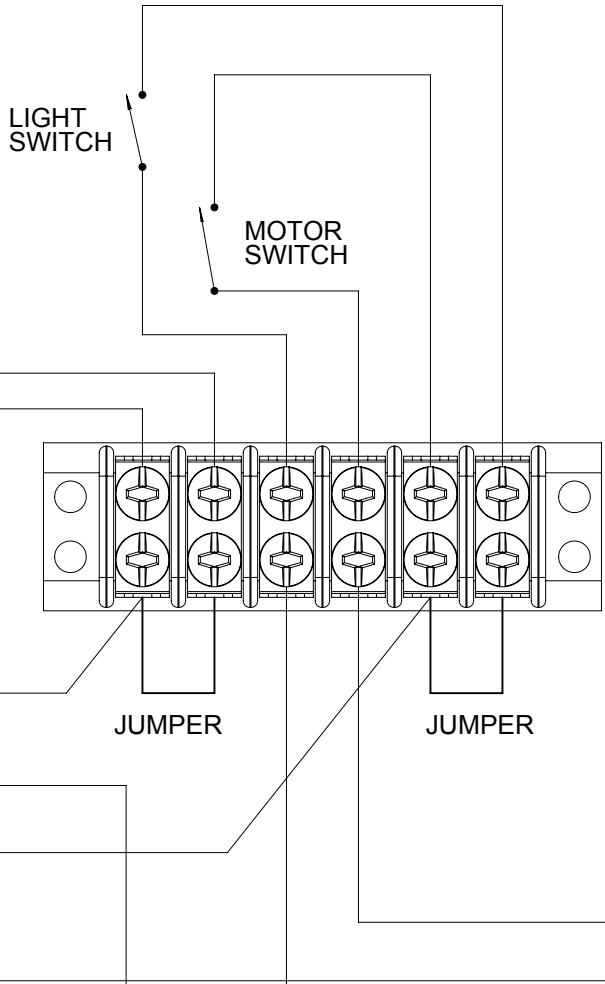
BILL OF MATERIAL

NO.	PART NUMBER	DESCRIPTION	QTY.
1	100-0913	30" & 56" BFG BBQ SMOKER GAS LINE	1
2	100-0914	ROTISSERIE GAS LINE (42"L x 3/8" Ø - SS. FLEX TUBE)	1
3	100-0914	ROTISSERIE GAS LINE (42"L x 3/8" Ø - SS. FLEX TUBE)	1
4	100-0917	SEAR ZONE™ GAS LINE (8"L x 3/8" Ø - SS. FLEX TUBE)	1
5	100-0941	ROTISSERIE GAS LINE EXTENSION (24"L x 3/8" Ø - SS.)	1
6	100-0941	ROTISSERIE GAS LINE EXTENSION (24"L x 3/8" Ø - SS.)	1
7	100-1067	SMOKER & SZ™ ORIFICE BRACKET	2
8	200-0274	ELBOW 90° - CAST IRON - 1/2" FPT x 1/2" MPT	1
9	220-0151	COUPLING 3/8" x 3/8" - COMPRESSION - BRASS	2
10	220-0273	ELBOW 90° - 1/8" FPT x 3/16" COMP	2
11	220-0275	NIPPLE - 1/2" MPT X 3/8" MPT	1
12	220-0276	ELBOW 3/8" MPT x 1/8" FPT x 3/8" COMP	2
13	220-0277	NIPPLE 1/8" MPT x 1/16" MPT	1
14	220-0280	REGULATOR GAS - MAXITROL RV48CL440002	1
15	220-0293	ELBOW 1/4" FPT x 3/8" COMP	1
16	220-0349	MANIFOLD - ALX2-56" BFG	1
17	290-0030	KNOB BBQ - ALFRESCO "A" LETTER	7
18	290-0041	GAS VALVE - STRAIGHT - WITHOUT ORIFICES	3
19	290-0066	GAS VALVE - ANGLED - ORIFICE: INT= 0.95 mm / EXT=NONE	1
20	SEE NOTE	GAS VALVE - ANGLED WITH ORIFICE >>> SEE NOTE	3
21	SEE NOTE	ORIFICE - SMOKER UNIT >>> SEE NOTE	1
22	SEE NOTE	ORIFICE - SEAR ZONE™ >>> SEE NOTE	1
23	SEE NOTE	ORIFICE - IR ROTISSERIE UNIT >>> SEE NOTE	2

NOTE:
ORIFICE OR VALVE TO CHANGE
ACCORDING TO GAS SUPPLY
(LP OR NG)

ITEM N°	NG	LP
	PART N°	PART N°
20	290-0064	290-0065
21	220-0287	220-0288
22	220-0289	220-0290
23	220-0285	220-0286



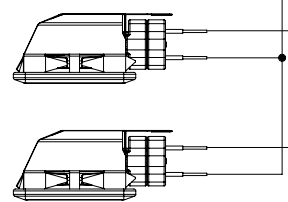


TERMINAL BLOCK
210-0302

ROTISSERIE
MOTOR

N
~ 115 VAC - 50/60 Hz.
L
G

JUMPER JUMPER



LIGHTS
(2) 120 VAC x 40W
MODEL: G940120
SOCKET: G9