



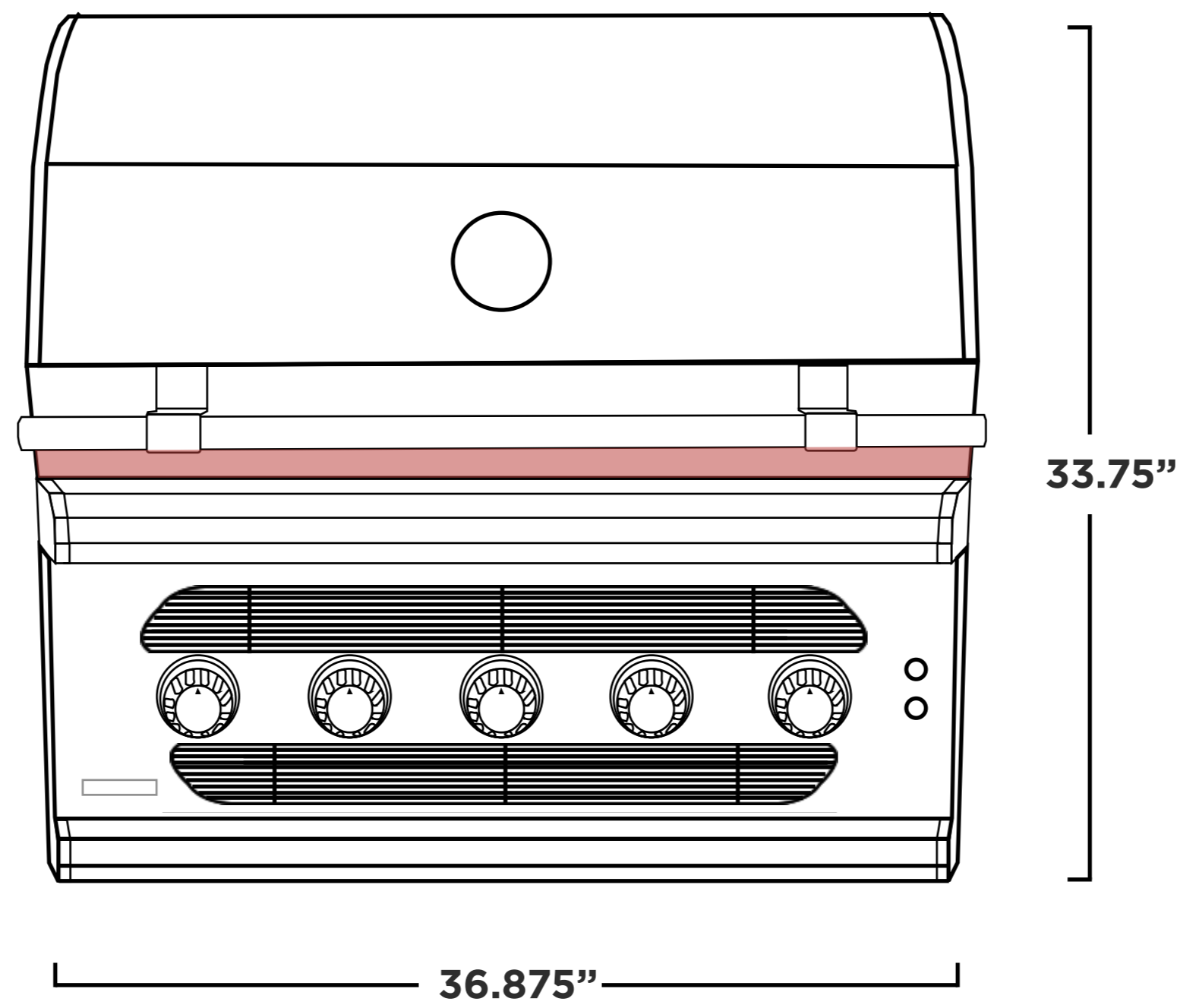
SUMMERSET
PROFESSIONAL GRILLS

36" - American Muscle Grill

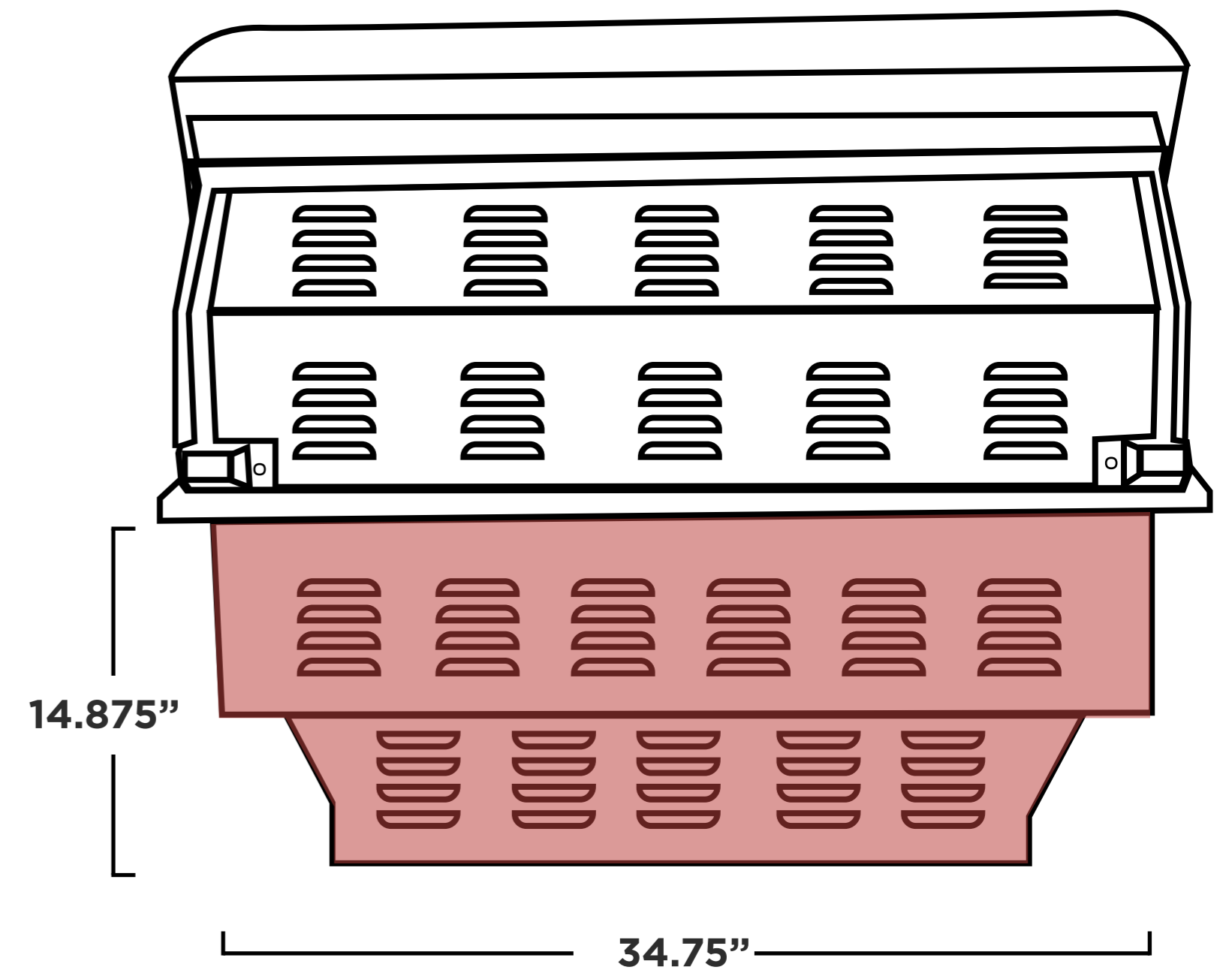
| | |
|------------------------------|---|
| Model | AMG36 |
| Cutout Dimensions ** | 35"W x 15"H x 25"D |
| Actual Dimensions | 36.875"W x 33.75"H x 33"D |
| Material | #304 Stainless Steel |
| Burner Count | 5 Main Burner |
| Total BTU | 110,000 BTU |
| Total Cooking Surface | 1,105 sq. in. |
| Electical Supply | 120 VAC, 60 HZ - Input 12 VAC, 5000 mA, 60W - Output |
| Gas Inlet NG | 1/2" NPT Female Regulator |
| Gas Inlet LP | 3/8" NPT Male Fitting |
| Power Cord Length | 13 ft. : 77" Power Cord + 80" Trans Wire |

NOTES

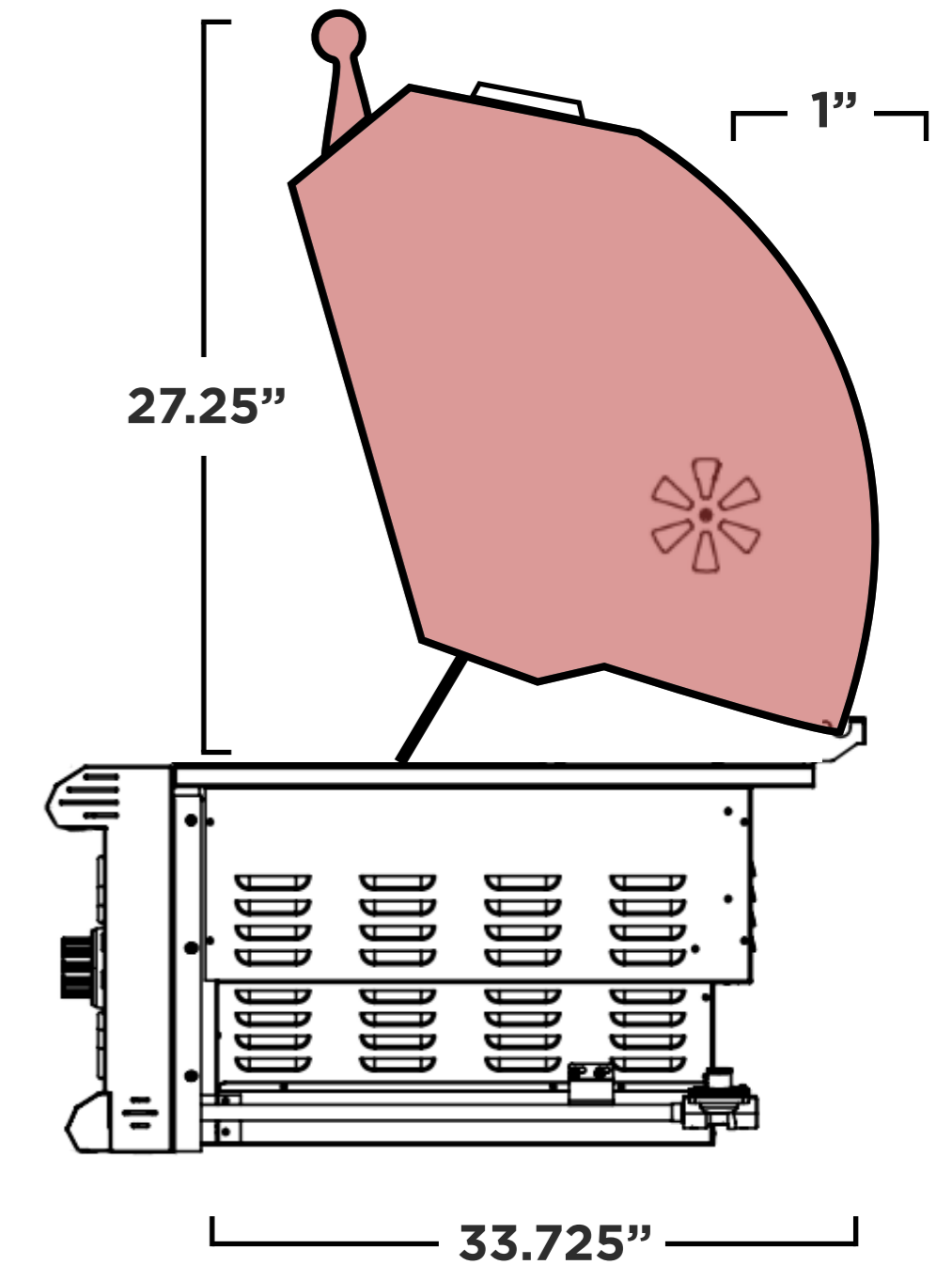
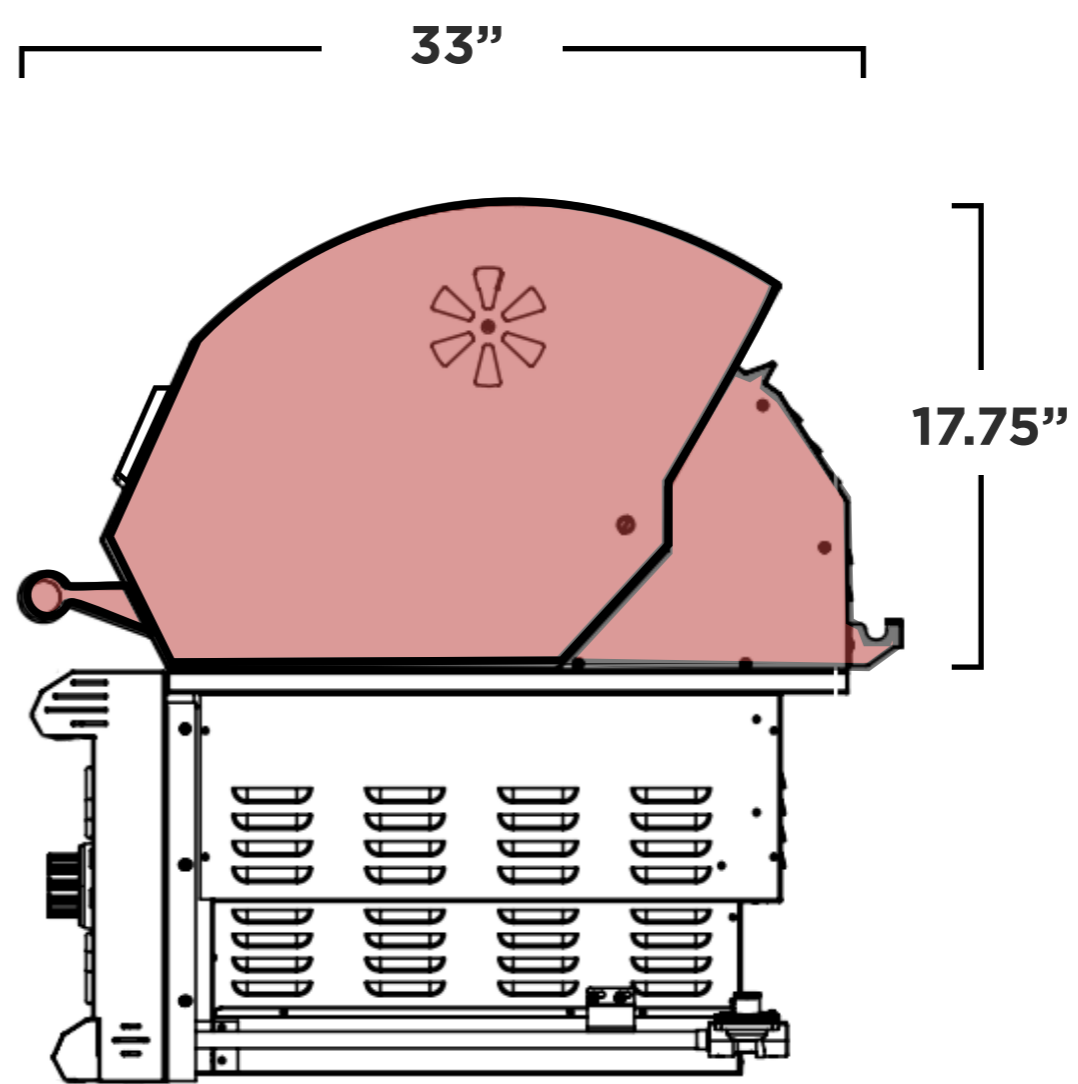
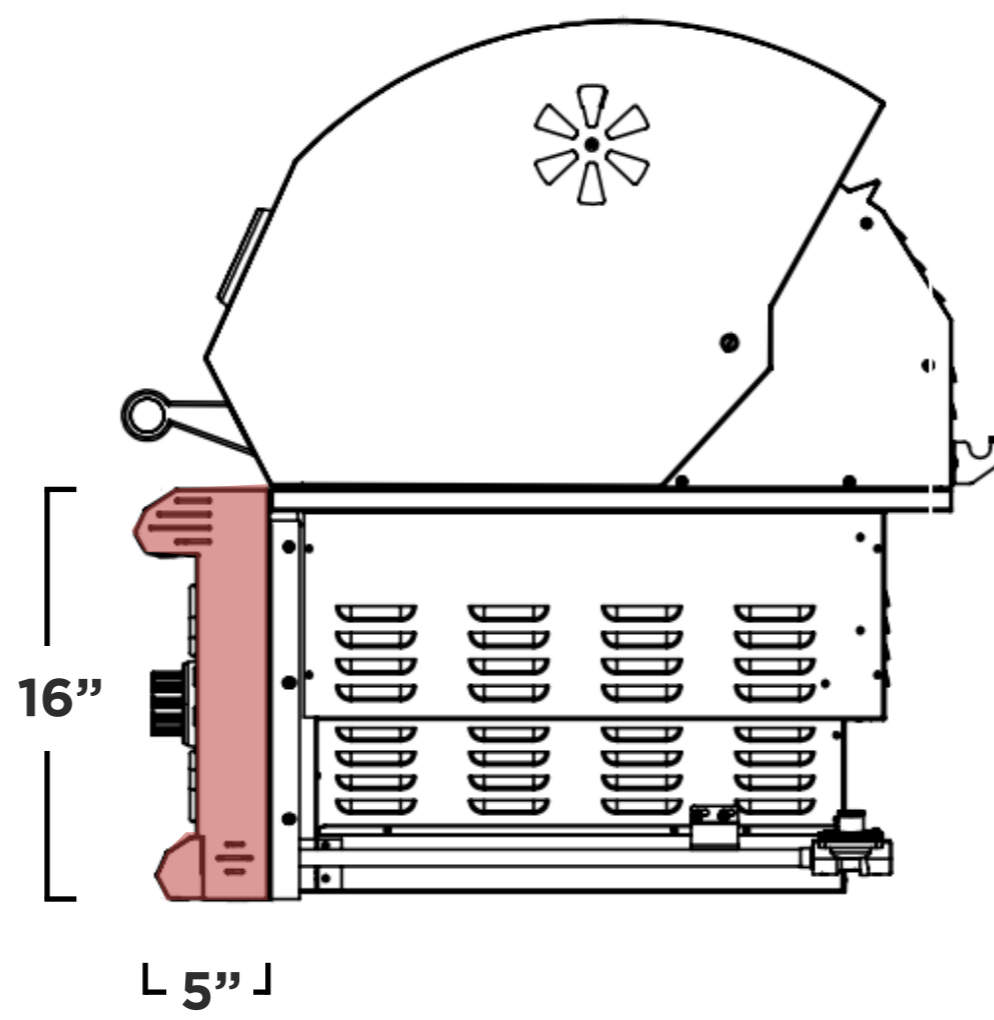
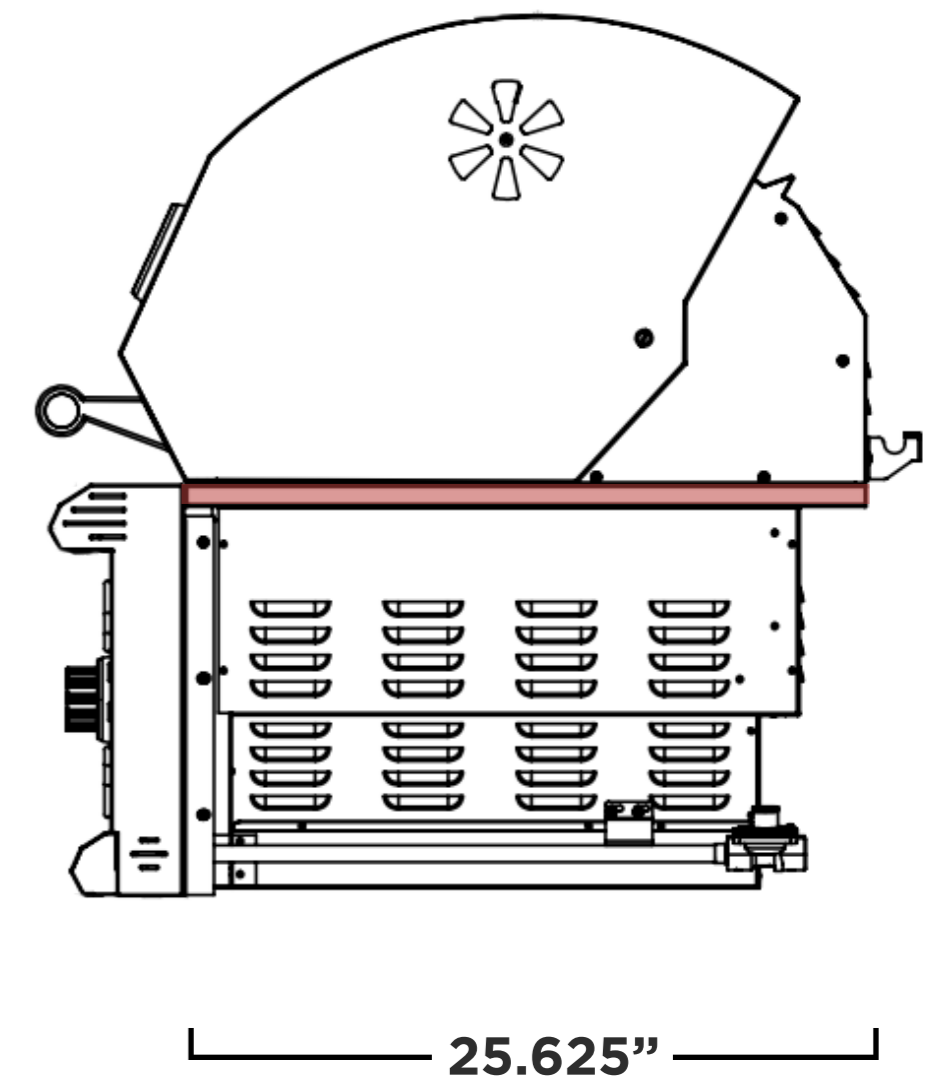
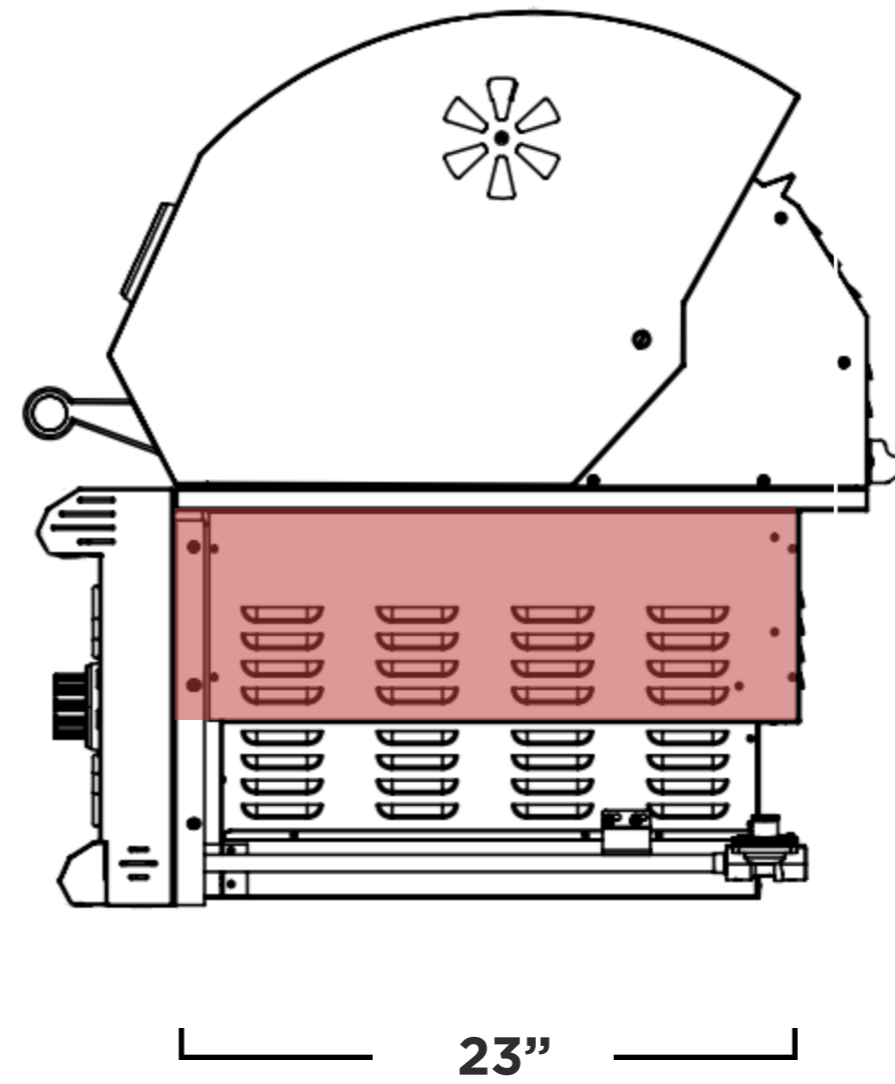
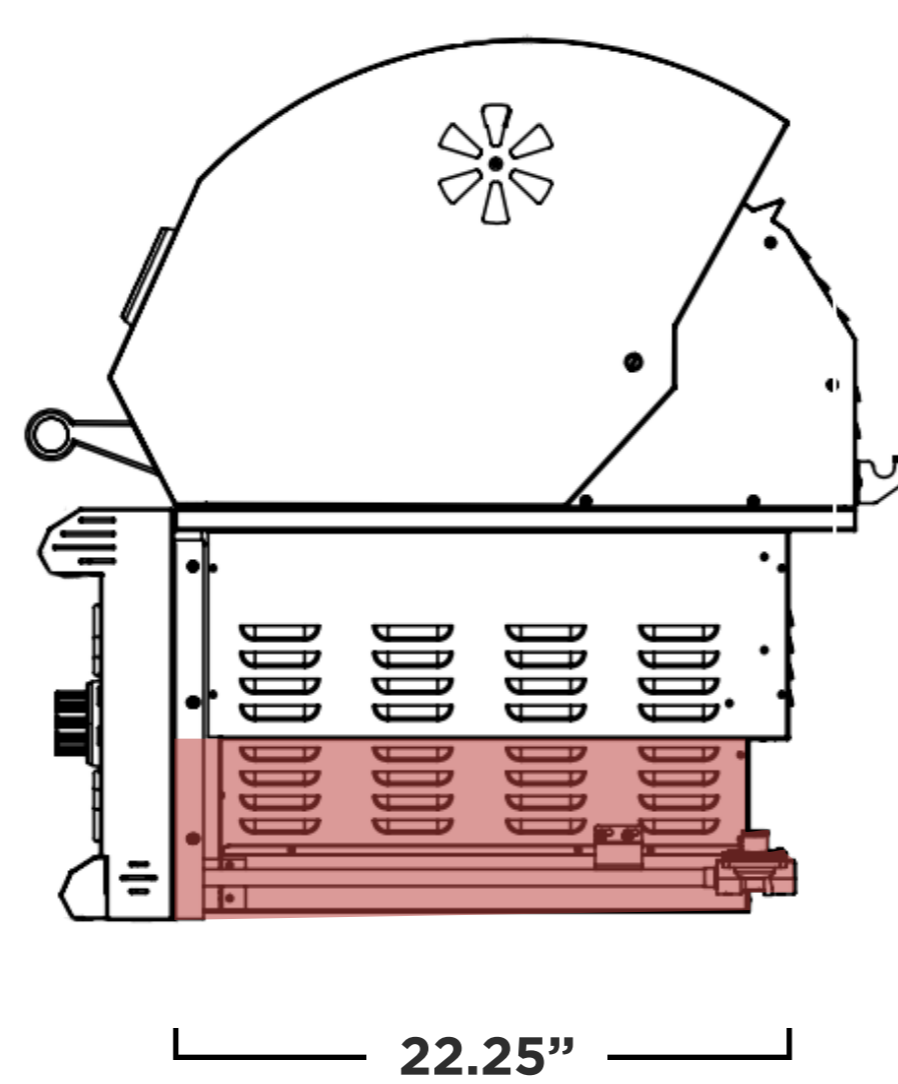
Front



Rear

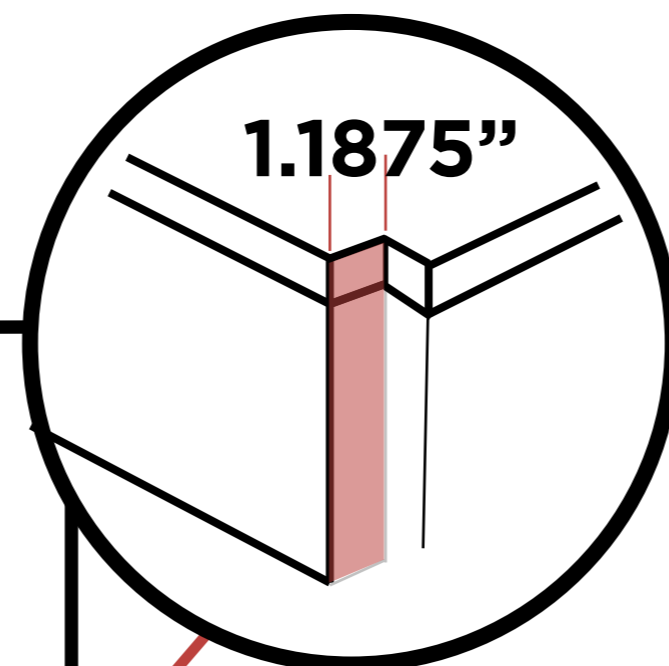
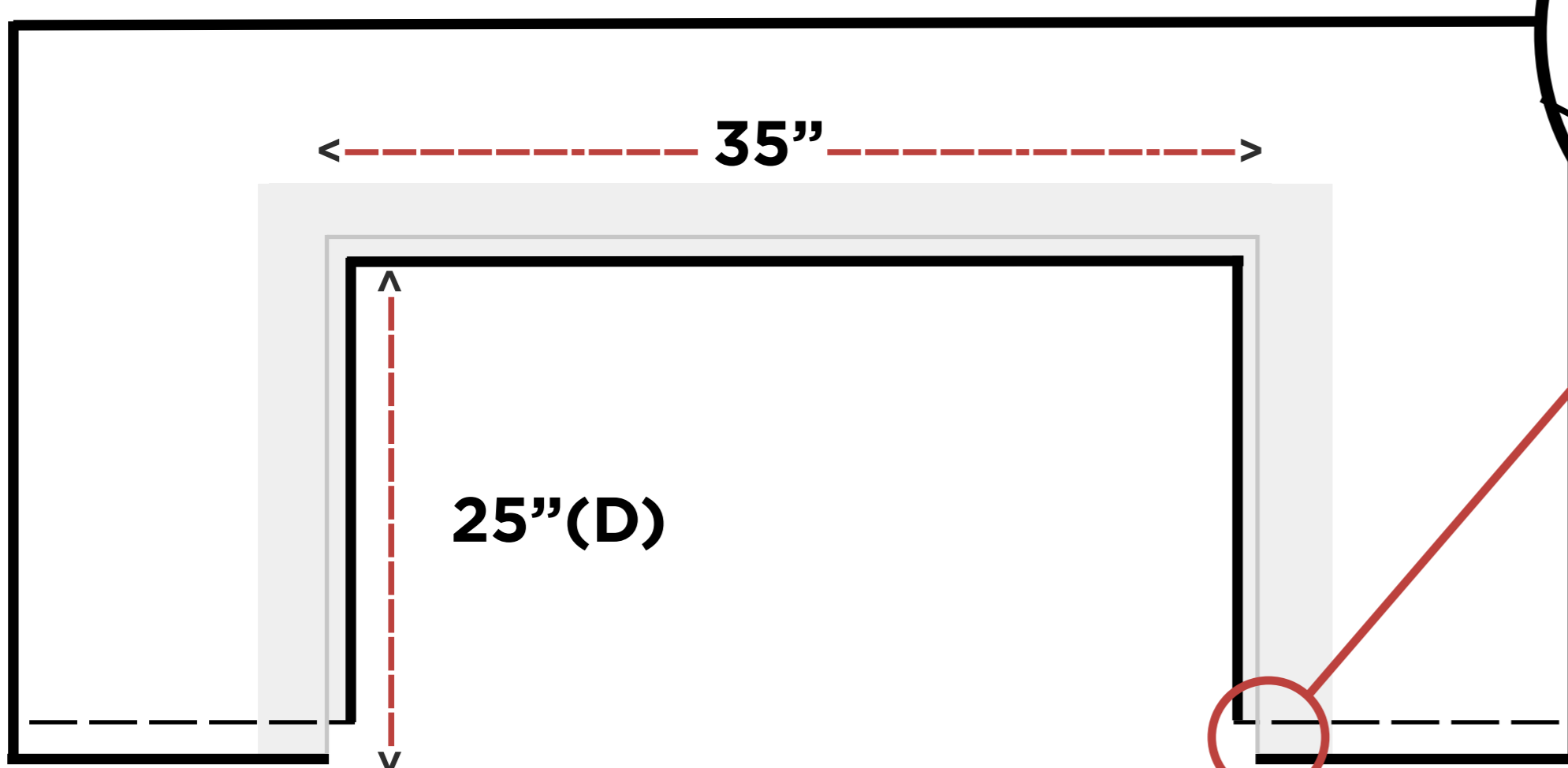


Side



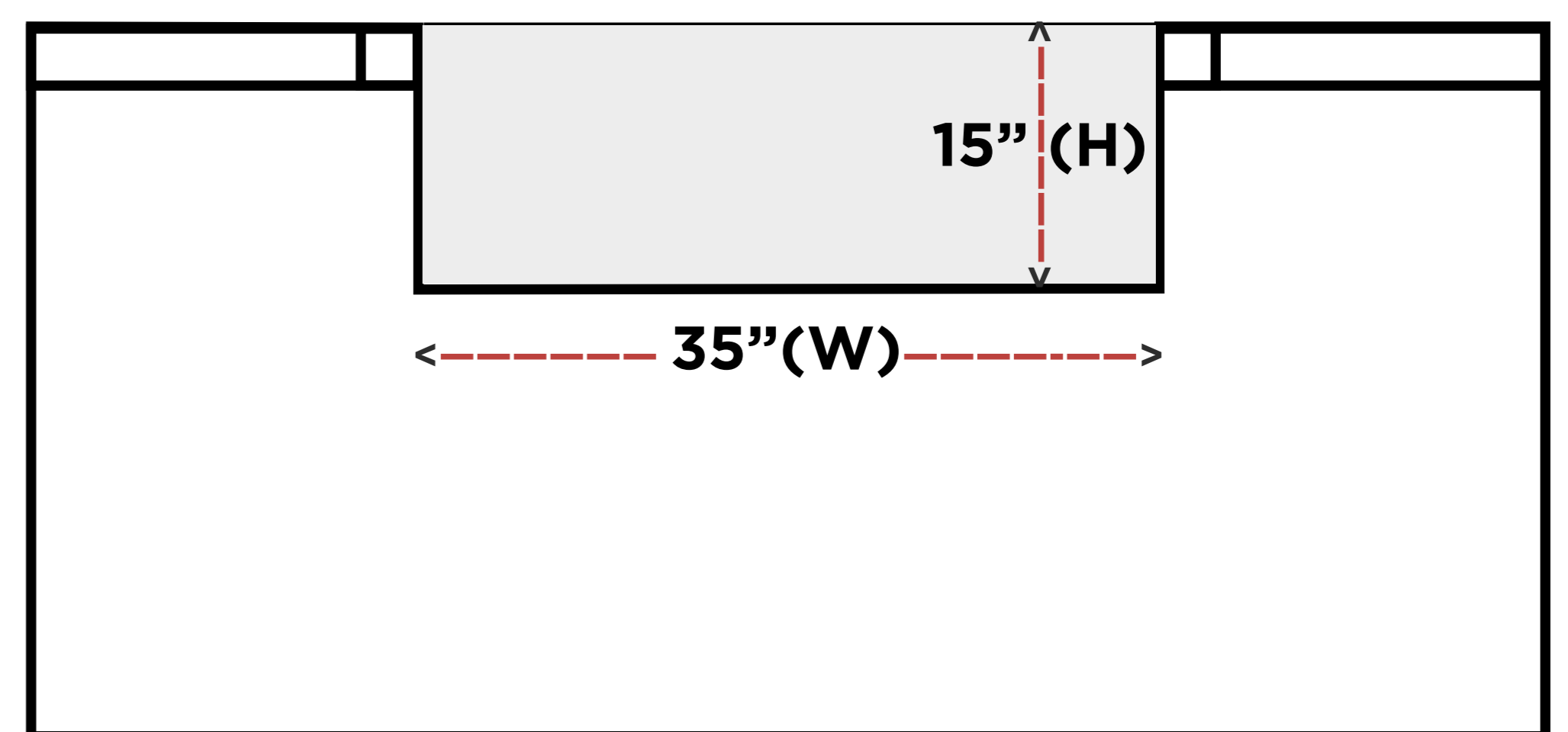
Cutout Dimensions **
35"W x 15"H x 25"D

Island Top View



Countertop Notch
Cutout Dimension

Island Front View



Manufacturer Suggested Cutout Dimensions ()**